

SHENZHEN BRILLIANT CRYSTAL TECHNOLOGIC CO.,LTD.

深 圳 市 彩 晶 科 技 有 限 公 司

The specification for the following models :

CM320240-3BLWAA-5**CM320240-3FLWAA-5**

PROPOSED BY		APPROVED
Design	Approved	

TEL:+86-755-29995238

FAX:+86-755-29459900

Http://www.cj86.com

E-mail:szcj86@gmail.com

Http://www.szcm-lcd.com

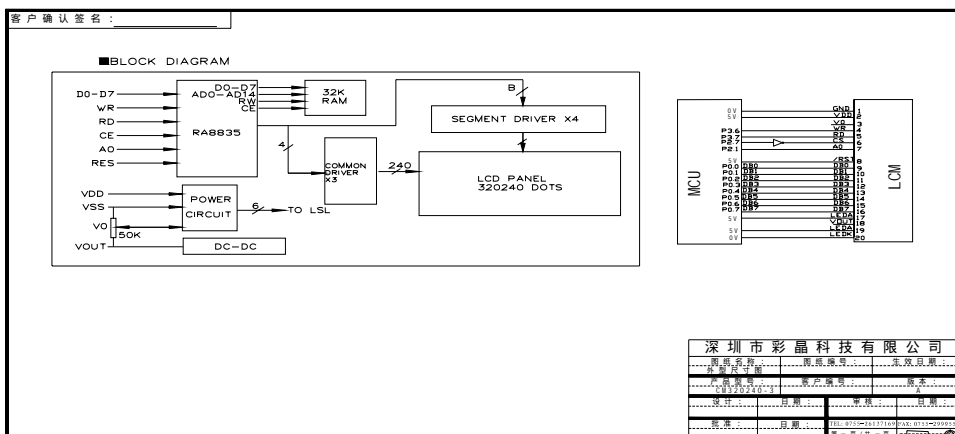
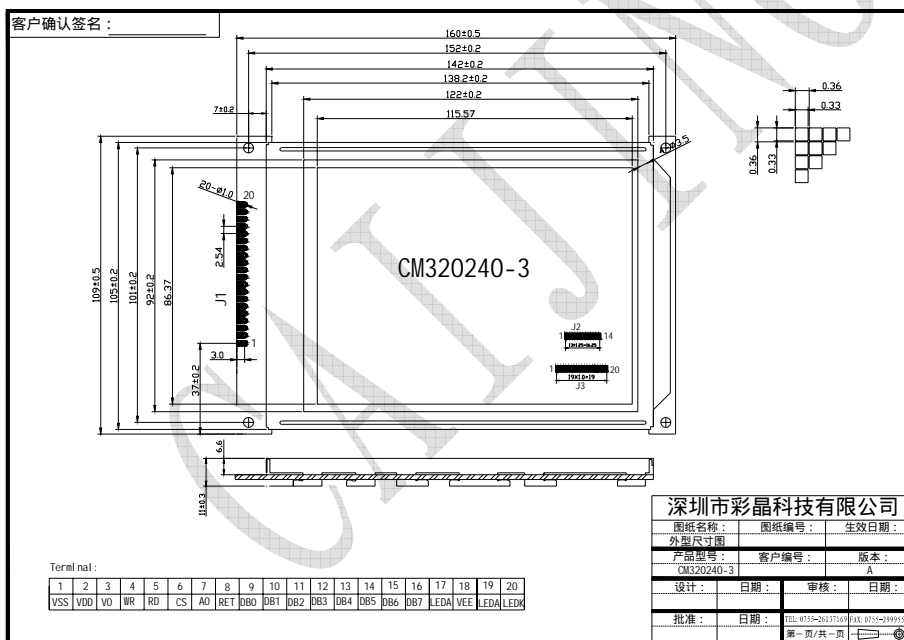
E-mail:szcj86@hotmail.com

地址：深圳市南山区西丽留仙洞工业区顺和达厂区 B 栋

1. Mechanical Specification

ITEM	STANDARD VALUE		UNIT
Dot Matrix	320 X 240 DOTS		--
MODULE DIMENSION	160.0 (W) X 109.0 (H) X 11.0 (T)		mm
VIEWING DISPLAY AREA	122.0 (W) X 92.0 (H)		mm
ACTIVE DISPLAY AREA	115.57 (W) X 86.37 (H)		mm
DOT SIZE	0.33 (W) X 0.33 (H)		mm
DOT PITCH	0.03 (W) X 0.03 (H)		mm
DRIVE METHOD	1/240 Duty , 1/16 BIAS		
VIEWING DIRECTION	6 O'clock		
LED Backlight Color	White		
Backlight Input	DC +5.0V	V	mA
LED backlight current	92		mA
Backlight Half-Lift Time	35,000		HR.
INPUT VOLAGE	DC +5.0V	V	mA
LCD DRIVER	RA8835		
Weight	210g		

2. Mechanical Diagram



3. Interface Pin Connections

J1 (RA8835 Controller)

NO	SYMBOL	LEVEL	FUNCTION
1	VSS	0V	GND
2	VDD	5.0V	Supply voltage for logic(+5V)
3	V0	-20V	Supply voltage for LCD Contrast adjustment(-20V)
4	/WR	--	Write signal
5	/RD	--	Read Signal
6	/CS	--	Chip select signal
7	A0	H/L	Data Type Selection
8	/RES	H/L	Reset Signal
9	DB0	H/L	Data BUS
10	DB1	H/L	Data BUS
11	DB2	H/L	Data BUS
12	DB3	H/L	Data BUS
13	DB4	H/L	Data BUS
14	DB5	H/L	Data BUS
15	DB6	H/L	Data BUS
16	DB7	H/L	Data BUS
17	LEDA	--	LED+5V
18	VOOUT	--	Power out(-23V),LCD Power supply
19	LEDA	--	LED Back light Power+5V
20	LEDK	--	LED Back light Power0V

J2 NO Controller

NO	SYMBOL	LEVEL	FUNCTION
1	D0	H/L	Data BUS
2	D1	H/L	Data BUS
3	D2	H/L	Data BUS
4	D3	H/L	Data BUS
5	Dispoff	--	H:Display ON.L:Display Off
6	Fram	--	Frame signal
7	M	--	Alternater for LCD driver
8	Load	--	Data latch signal
9	Cp	--	Clock signal for shifting serial data
10	VDD	--	Power supply for logic(+5V)

11	Vss	--	GND
12	VOUT	--	Power supply for LCD(-23V)
13	V0	--	Variable voltage for LCD(-20V)
14	NC	--	

J3 (RA8835 Controller)

NO	SYMBOL	LEVEL	FUNCTION
1	VSS	0V	GND
2	VDD	5.0V	Supply voltage for logic(+5V)
3	V0	-20V	Supply voltage for LCD Contrast adjustment(-20V)
4	A0	--	Data Type Selection
5	WR	--	Write signal
6	RD	--	Read Signal
7	DB0	H/L	Data BUS
8	DB1	H/L	Data BUS
9	DB2	H/L	Data BUS
10	DB3	H/L	Data BUS
11	DB4	H/L	Data BUS
12	DB5	H/L	Data BUS
13	DB6	H/L	Data BUS
14	DB7	H/L	Data BUS
15	CS	--	Chip select signal
16	RES	H/L	Reset Signal
17	VOUT	--	Power out(-23V),LCD Power supply
18	SEL1	--	H:6800,L:8080
19	LEDA	--	LED Back light Power+5V
20	LEDK	--	LED Back light Power0V

4. Absolute Maximum Ratings

ITEM	SYMBOL	MIN.	TYPE	MAX.	UNIT
OPERATING TEMPERATURE	TOP	0/-20	--	+50/+70	
STORAGE TEMPERATURE	TST	-10/-30	--	+60/+80	
INPUT VOLTAGE	VI	4.75	5.0	5.25	V
SUPPLY VOLTAGE FOR LOGIC	VDD-VSS	--	5.0	5.5	V
SUPPLY VOLTAGE FOR LCD	VDD-VO	--	--	21	V
STATIC ELECTRICITY	Be sure that you are grounded when handing LCM.				